

# DL/2, Version 3 Release 0

The IMS to DB2 data migration and application transparency solution from Circle Computer Group



## Unlock the potential of IMS data through migration to DB2

```
Tyra
V2.3.0 ----- DL/2: List of Fields for Segm "DBS01010" ----- Row 1 of 67
Command ==> Scroll ==> CSR

DDD Name      : DBS01061  Primary Table  : DL2TEST.PR_TITLE
Segment Name  : DBS01010  Secondary Tables :
Segment Length: 00220

Actions: U Update, I Insert, D Delete

Sel Field  Fctn      Build Order Bytes Start Type Tbl Column Name  DL2 Picture
-----
- PTITLNO  SEQ      00001 00006 00001  C  X
- PTITLPRE SCH      00002 00001 00001  C  P  TITLE_PREFIX
- PTITLSUF SCH      00003 00005 00002  C  P  TITLE_SUFFIX
- PTITLSTA SCH      00004 00001 00007  C  P  TITLE_STATUS
- PAUDTCDE SCH      00005 00001 00008  C  P  I_AUDIT_CODE
- PAUDTOTE SCH      00006 00005 00009  C  P  I_AUDIT_DATE
- PPUBSNO  SCH      00007 00002 00014  C  P  NUMBER_PUBS
- PISBNKEY SCH      00008 00010 00016  C  X
- PISBNCRY SCH      00009 00001 00016  C  P  ISBN_COUNTRY
- PISBNN0  SCH      00010 00009 00017  C  P  ISBN_SUFFIX
- POWNCDE  SCH      00011 00004 00026  C  X
- PCOMPOWN SCH      00012 00002 00026  C  P  COMPANY
- PDIWOWN  SCH      00013 00002 00028  C  P  DIVISION
- PEDITCDE SCH      00014 00016 00030  C  X
- PEDITCLS SCH      00015 00002 00030  C  P  ED_CLASS
- PEDITCON SCH      00016 00002 00032  C  P  ED_CONSTRUCT
- PEDITDEP SCH      00017 00002 00034  C  P  ED_DEPT
- PEDITSUB SCH      00018 00003 00036  C  P  ED_SUBJECT
- PEDITSDV SCH      00019 00003 00039  C  P  ED_SUB_DIV
- PEDITGR6 SCH      00020 00002 00042  C  P  ED_GEN_GRADE
```

Transparency of corporate data has never been as important as it is in today's e-business world. Competing effectively requires better customer understanding, more integrated internal and supplier processes and the support for a range of channels that are available 24 hours a day. That means data availability and accessibility across the enterprise and beyond.

DB2 provides the rich functionality required by today's e-business and business intelligence applications and has become the database of choice for zOS. For many however, extending the benefits of DB2 to legacy IMS data has remained out of reach. Moving data to DB2 not only involves complex data re-engineering and migration, it also requires extensive modification to application programs – often resulting in an unacceptable level of effort, cost and risk.

## Highlights

- No application program changes required
  - Migrate at your own pace, on a database by database basis
  - All DB2 access uses static SQL, optimized for IMS access patterns
  - Data can be automatically re-engineered to improve its value in DB2
  - Migration costs and risks are reduced significantly
  - Fastest way to DB2
- DL/2 Version 3.0 was released in 1Q 2006. This release continues the theme of increased automation to reduce the data migration costs. The following are the highlights of the new release:
- The automated test tool previously supported batch programs. In Version 3.0, CICS programs are supported
  - The data validation tool previously verified numeric data. Now 'date' data is validated
  - There is a new feature that helps to automate the initial data migration process



# DL/2, Version 3 Release 0

The IMS to DB2 data migration and application transparency solution from Circle Computer Group

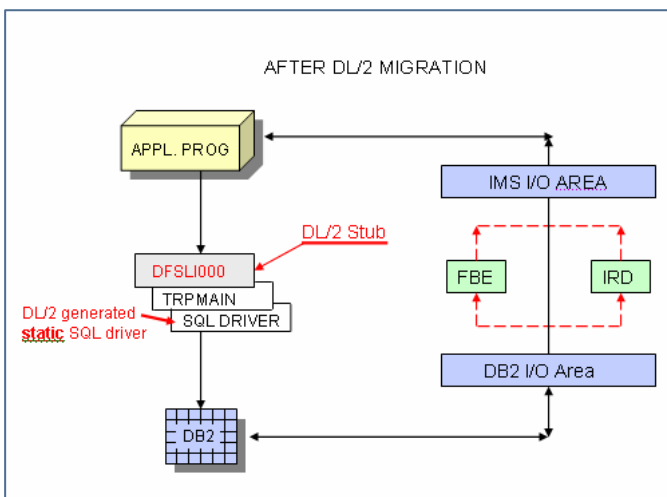


## Unlock the potential of IMS data through migration to DB2

DL/2 is a data migration and application transparency solution specifically designed to address this challenge. It enables the rapid migration of data from IMS to DB2 without requiring application changes.

DL/2 customers tend to fall into one of two camps. Some use DL/2 to eliminate IMS/DB and achieve significant reduction in their software budget. Others want their existing IMS data to be the basis of new, and often web based application development. DL/2 meets both needs equally.

As an established solution, DL/2 has proven itself around the world in many different vertical industries. Once IMS data is migrated to DB2, IMS application programs are re-linked to call DL/2. During program execution DL/2 checks to see if the requested data now resides in DB2. If so DL/2 issues optimised static SQL calls and the results (data and status codes) are passed back to the application in IMS format. If the requested data still resides in IMS, control passes to IMS and the results are passed back unchanged. This runtime process is illustrated below.



Throughout the migration process, Circle consultants can provide a range of services including up-front data analysis, target design, data re-engineering, data migration and testing assistance. The combination of DL/2 and the right services when and where you need them ensure a successful migration and a rapid return on investment.

DL/2 supports the latest releases of DB2, IMS and CICS as well as older releases back to and including:

- DB2 Version 2 Release 3
- IMS Version 1 Release 3
- CICS Version 2 Release 3

## Benefits

DL/2 brings the power of DB2 to legacy IMS data

- 24 by 7 availability and mixed workload support
- Easy integration with other applications and e-business systems
- "Open" data for business intelligence
- Single mainframe DBA skill set
- Single operational database environment to support
- Elimination of IMS and IMS tools costs

For more information on DL/2

Please contact Circle on:  
+44 (0)1428 664500

North America:  
+1 978 927 1383

Or visit our website at  
[www.circle-group.com](http://www.circle-group.com)

